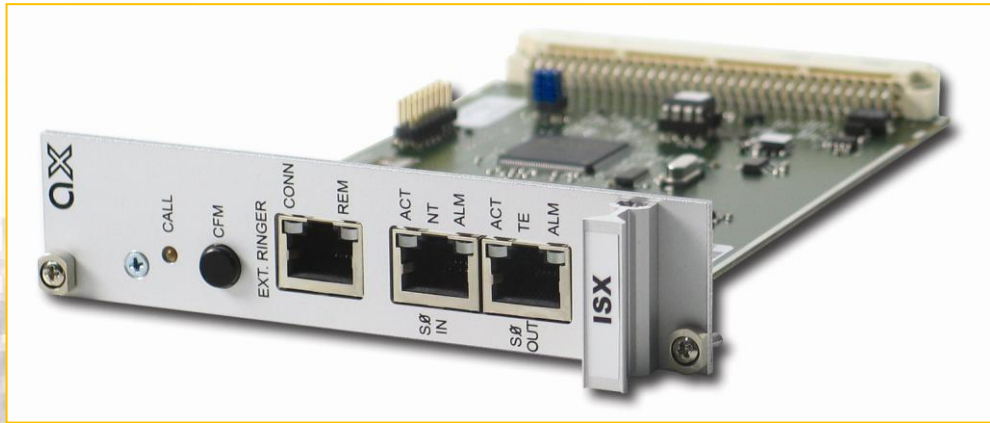


ISX

ISDN-Sniffer



Introduction

The ISDN-Sniffer ISX is an unmanaged device, which detects and signals activity on an ISDN S0-bus. It is designed to signal incoming, outgoing and missed calls, to allow remote control of ISDN-phones.

Optical as well as acoustic indicators are build-in. A remote ringer can be connected to allow a control unit even far away from the S0-bus.

ISX is an easy to install and easy to operate device, which needs almost no configuration.

As part of arcutronix Multi Service Platform (axMSP) the ISX can be housed in small footprint single-slot housing or 19" rack to achieve high density on small footprint.

Features

- ▶ Unmanaged "plug'n'play" unit for ISDN Digital Leased Line
- ▶ Interfaces for S0 (in and out)
- ▶ Interface for remote ringer (ISX-Bell)
- ▶ Built-in optical and acoustic indicators
- ▶ Push-buttons to reset buzzers in ISX and ISX-Bell
- ▶ Configuration via Jumper settings
- ▶ Compact 3RU rack mount card
- ▶ For installation in single-slot housing (SHX) or system rack (SRX)
- ▶ Available external remote ringer: ISX-Bell

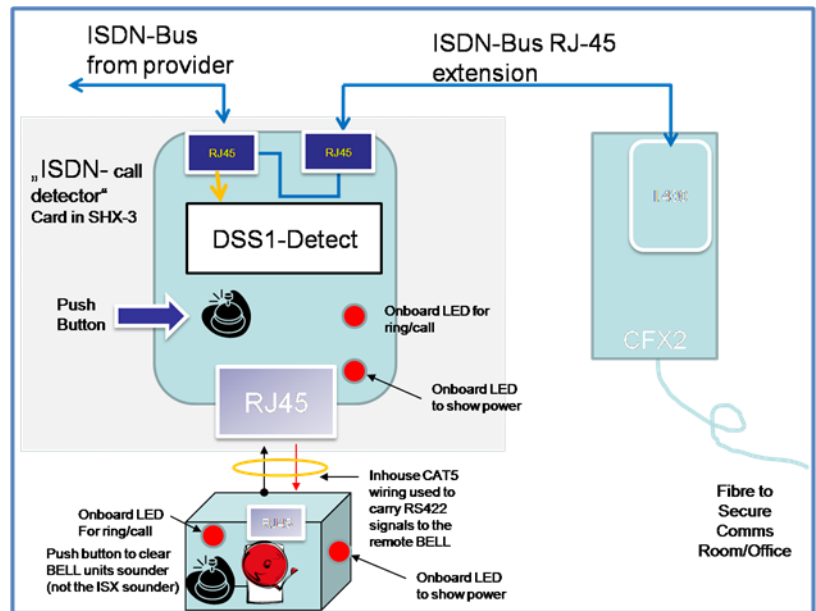
ISX

ISDN-Sniffer

Application Example

The ISX is used as a control tool on an So-bus.

Together with CFX2-I.430 it builds a unit to transport the calls to a special place, still having the chance to check outside for activity.



Specifications

ISDN So I/Fs

- 2x I.430
- Signaling DSS1
- Termination 100Ω/open
- Connector: 2x RJ-45

Service I/F (Ext. Ringer)

- 1x proprietary
- Connector: RJ-45

Features

- ISDN-Sniffer
- Easy Configuration via DIP-switches
- Plug-n-Play installation
- Low power consumption
- SO cut through for easy installation
- Support Remote Ringer ISX-Bell
- LEDs on front to indicate status

ISX-Bell

- External remote ringer
- 1x proprietary service interface
- Connector: RJ45
- Distance: max. 600m from ISDN-Sniffer (ISX) via in-house Cat5 wiring

Environmental

- Operating: +5 to +40°C (ETS300019-1-3; class3.1)
- Transport: -25 to +70°C (ETS300019-1-2; class2.2)
- Storage: -25 to +55°C (ETS300019-1-1; class1.2)
- Humidity: 10 to 90%, non-condensing
- Safety-Norm: acc. to EN60950
- EMC
 - Emission: EN55022 class B
 - Immunity: EN61000-4-3 10V/m

Power

- Supply Voltage: +5 VDC (4,8 to 5,2 V) from BP
- Power Consumption: < 5 VA, over current protected
- Voltage/Lightning Protection: ITU-T K.20
- Power supply via system rack SRX or housing SHX

Physical

- Weight: < 200g
- Dimensions:
 - 130mm H x 30mm W x 190mm D
 - 45mm H x 145mm W x 260mm D (in SHX3)
- 19" rack: 10 slots available in 3RU rack (SRX10)

Specification may change without prior notice. Please refer to www.arcutronix.com for latest data-sheets.

For more information please contact arcutronix GmbH or visit us at www.arcutronix.com.

Version 03/11 © 2011 arcutronix GmbH